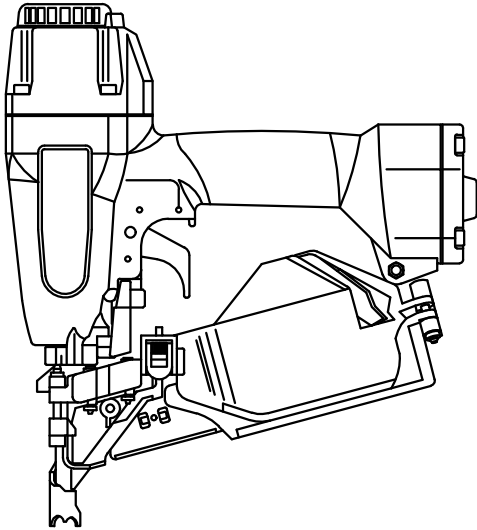


1) TOOL TYPE - GERAETETYP - DESCRIZIONE MACCHINA - TYPE D'OUTIL - TIPO DE MAQUINA

cod. 11350.01 33 CN15W-PS50 SCR



2) TOOL CHARACTERISTICS
 SPEZIFIKATION DES GERAETES
 CARATTERISTICHE TECNICHE
 CARACTERISTIQUES DE L'OUTIL
 CARACTERÍSTICAS DE LA MAQUINA

HEIGHT - HAUTEUR HOEHE - ALTURA ALTEZZA	WIDTH - LARGEUR BREITE - ANCHURA LARGHEZZA	LENGTH - LONGUEUR LAENGE - LONGITUD LUNGHEZZA	WEIGHT - POIDS GEWICHT - PESO PESO
in. 11.42 mm. 290	in. 4.33 mm. 110	in. 10.35 mm. 263	lbs. 4.12 kg. 1.870
MIN-MAX WORKING PRESSURE MIN-MAX ARBEITSDRUCK MIN-MAX PRESSIONE DI ESERCIZIO MIN-MAX PRESSION DE TRAVAIL MIN-MAX PRESION DE TRABAJO		70 / 100 PSIG 5 / 7 BAR	
AIR CONSUMPTION PER SHOT LUFTVBRUCH PRO NAGELUNG CONSUMO ARIA PER COLPO CONSUMATION DE L'AIRE PAR COUP CONSUMO DE AIRE CADA DISPARO		PERFORMANCES AT 90 psi (0.62 MPa) PRESTAZIONI A 6.2 bar (0.62 MPa) 0.75 l.	
LUBRICANT SCHMIEROEL LUBRIFICANTE LUBRIFIANT LUBRIFICANTE		AEROSPACE LUBRICANTS TRIBOLUBE 12	

* ACTUATION SYSTEM * AUSLOESEART * ATTUAZIONE * MISE EN ŒUVRE * ACTUACION	3 SAFETY SS/CT	* LOADING * LADEN * CARICAM. * CHARGER * CARGA	BOTTOM LOADING SIDE LOADING TOP LOADING ● COIL OTHER
---	----------------------	--	--

* SEE INSTRUCTION MANUAL - SIEHE BETRIEBSANLEITUNG
 - VEDI MANUALE - VOIR MODE D'EMPLOI - VER EL MANUAL

NOISE CHARACTERISTICS GERÄUSCH - EMISSION DATEN CARATTERISTICHE RUMOROSITA' CARACTERISTIQUES ACOUSTIQUE CARACTERÍSTICAS DE RUIDO	EN 12549+A1:2008 EN ISO 4871:2009
$L_{WA,1s}$: 94.00 dB(A) - $K_{WA,1s}$, 2.5	
$L_{pA,1s}$: 86.00 dB(A) - $K_{pA,1s}$, 2.5	

VIBRATION VALUE VIBRATIONSWERT VALORE DI VIBRAZIONE VALEUR DE VIBRATION VALOR DE VIBRACION	UNI ISO/TS 8662-11 m/s ² 3.5
--	---

3) FASTENER DATA
 ANGABEN ZU DEN BEFESTIGUNGSMITTELN
 CARATTERISTICHE TECNICHE FISSAGGI
 DONNEES DES PROJECTILES
 DATOS DE CLAVOS

SCRAIL®		
FINE-COARSE THREAD		
WIRE SCHAFT FILO ALAMBRE TIGE	A	in. .071 - .087 mm. 1.8 - 2.2
	B	in. .079 - .098 mm. 2.0 - 2.5
C) HEAD-KOPF-TESTA TETE-CABEZA	PHILIPS-POZI-TORX	
D) PITCH - TEILUNG PASSO - PAS PASO	WIRE	PLASTIC
	in. .236-.275 mm. 6.0- 7.0	.236 6.0
L) LENGTH LAENGE LUNGHEZZA LONGEUR LONGITUD	in. 7/8" - 2" mm. 22 - 50	
MAGAZINE CAPACITY MAGAZIN CAPAZITAET CAPACITA' CARICATORE CAPACITE' CHARGEUR CAPACIDAD CARGADOR	300 SCRAIL®	

NAIL			
A) WIRE SCHAFT FILO ALAMBRE TIGE	SHANK		WIRE
	SMOOTH	EG	in. .063-.098 mm. 1.6-2.5 in. .063-.090 mm. 1.6-2.3
	RING	EG	in. .063-.098 mm. 1.6-2.5 in. .063-.083 mm. 1.6-2.1
	SCREW	EG	in. .063-.090 mm. 1.6-2.3 in. .063-.098 mm. 1.6-2.5
	KNURLED	EG	in. .063-.090 mm. 1.6-2.3 in. .063-.098 mm. 1.6-2.5
C) HEAD - KOPF TESTA - TETE CÂBEZA	in. .138 - .197 mm. 3.5 - 5.0		
D) PITCH - TEILUNG PASSO - PAS PASO	WIRE	PLASTIC	
	in. .236-.275 mm. 6.0- 7.0	.236 6.0	
L) LENGTH-LAENGE LUNGH.-LONGEUR LONGITUD	in. 7/8" - 2" mm. 22 - 50		
MAGAZINE CAPACITY MAGAZIN CAPAZITAET CAPACITA' CARICATORE CAPACITE' CHARGEUR CAPACIDAD CARGADOR	200-400 NAILS		