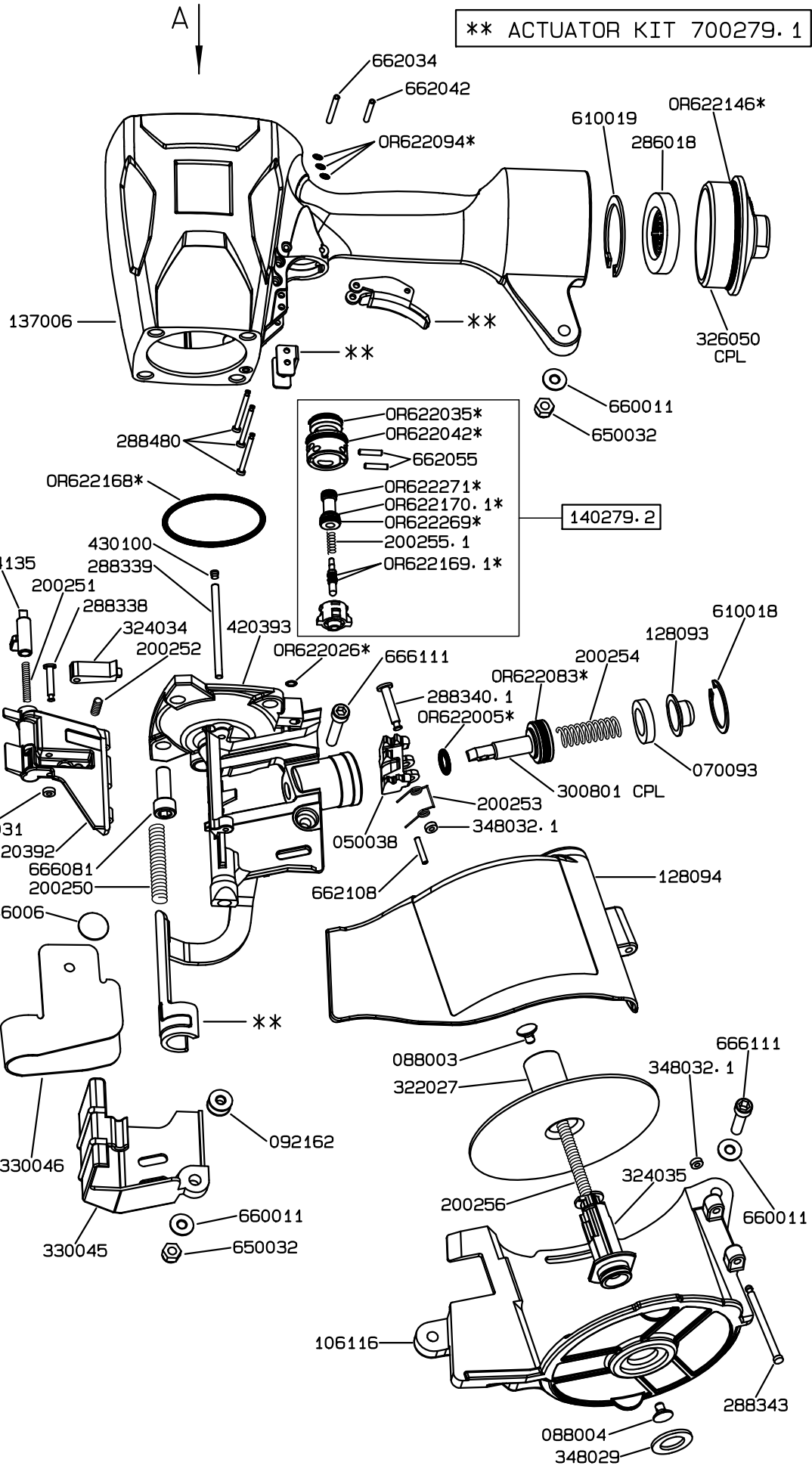
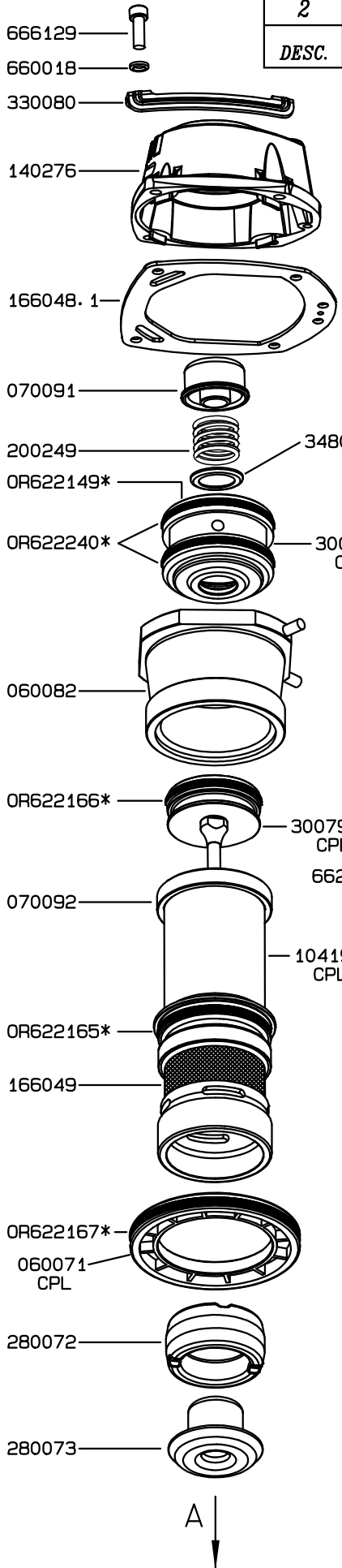


ESP	MACHINE CODE	MACHINE CODE	MACHINE CODE	MACHINE CODE	MACHINE CODE
2	11420				
DESC.	F58A CN15W-70				



* O-RINGS KIT 700321

** ACTUATOR KIT 700279. 1

